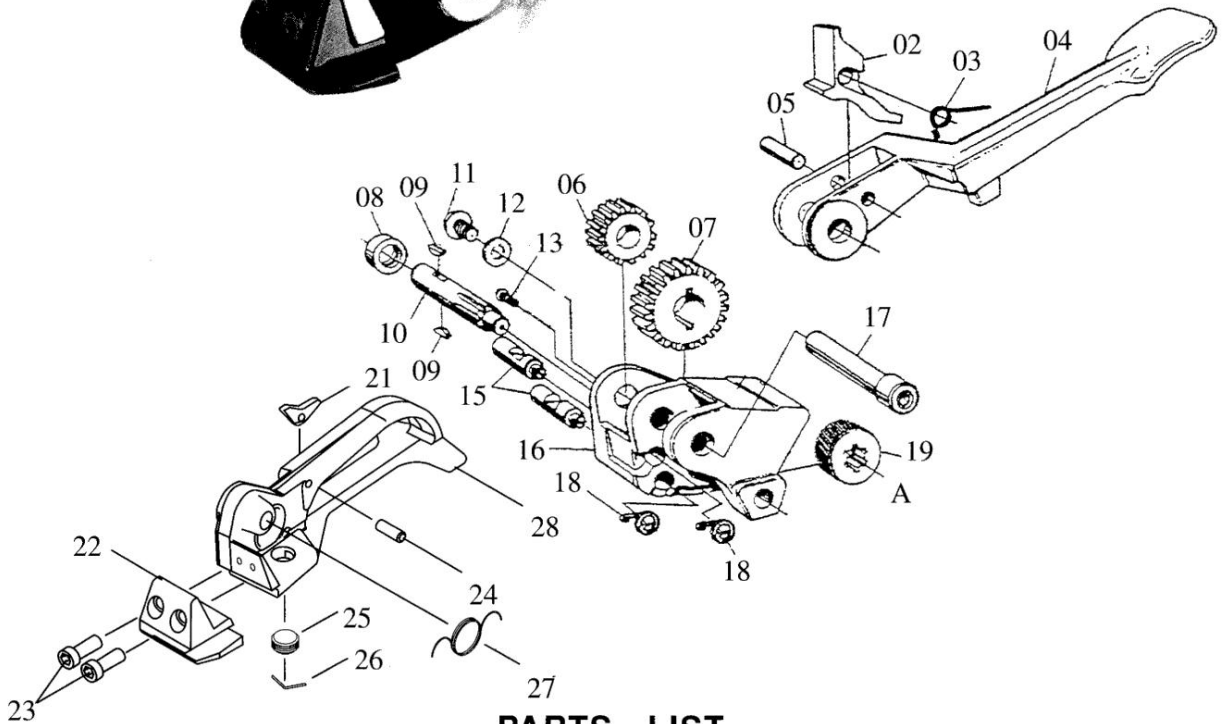
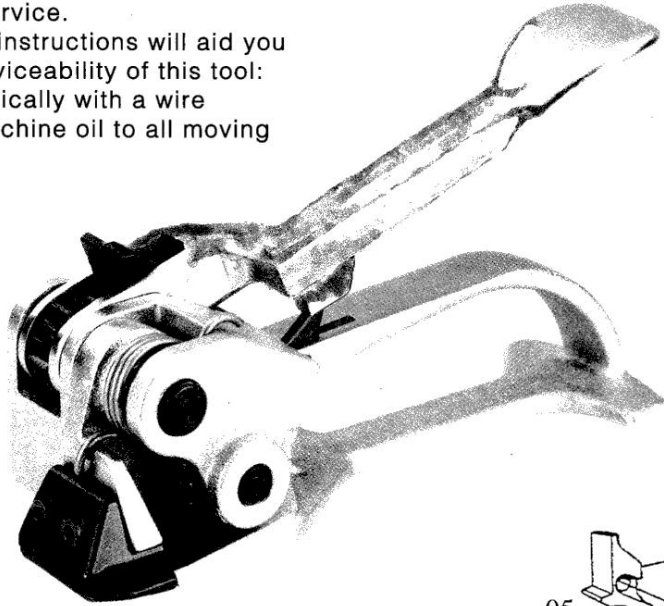


FEED WHEEL TENSIONER

TOOL MAINTENANCE

This tool has been thoroughly inspected and tested before shipment. It is designed for Hard wear and long service.

The following simple instructions will aid you in prolonging the serviceability of this tool:
Clean this tool periodically with a wire brush. Apply light machine oil to all moving parts.



PARTS LIST

PART NO.	DESCRIPTION	Q'TY/TOOL	PART NO.	DESCRIPTION	Q'TY/TOOL
2	Handle Pawl	1	15	Holding Pawl	2
3	Handle Pawl Spring	1	16	Gear Housing	1
4	Handle	1	17	Pivot Pin	1
5	Handle Pawl Pin	1	18	Holding Pawl Spring	2
6	Pinion Gear	1	19	Feedwheel	1
7	Tension Gear	1	21	Lift Arm	1
8	Bushing	1	22	Breaker Nose	1
9	Woodruff Key	2	23	Screw M5x14	2
10	Feedwheel Shaft	1	24	Roll Pin	1
11	Screw M6x10	1	25	Clutch Plug	1
12	Washer	1	26	Plug Pin	1
13	Screw M5x10	1	27	Base Spring	1
			28	Base	1

WHEN ORDERING PARTS, PLEASE SHOW TOOL MODEL, PART NUMBER AND NAME.