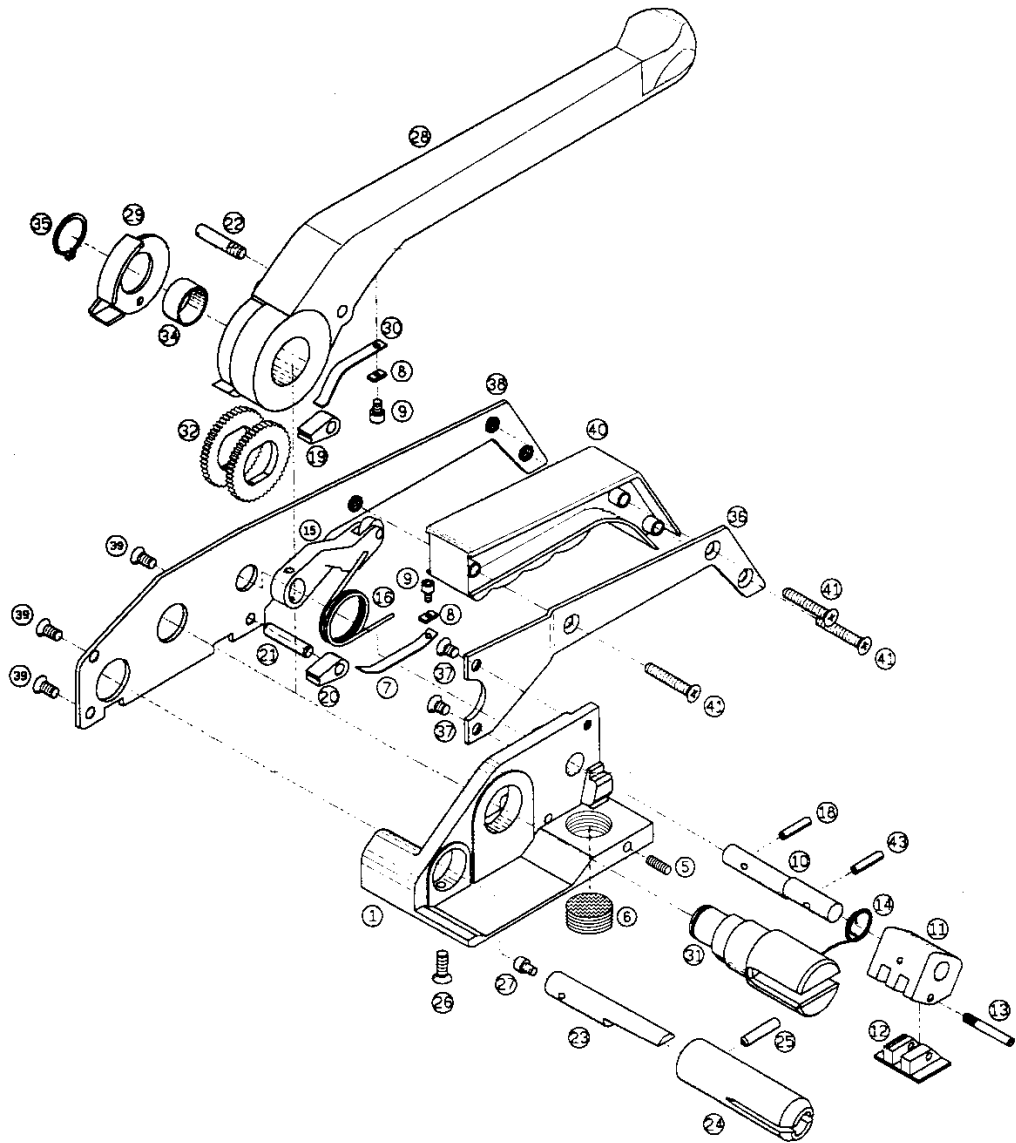


WINDLASS TENSIONER



PARTS LIST

Part No.	Part Name	Qty./Tool	Part No.	Part Name	Qty./Tool
#01	Base	1	24#	Cutting Housing	1
#05	Set Screw(only for P400)	1	25#	Blade Lever	1
#06	Plug(only for P400)	1	26#	Cutting Housing Screw	1
#07	Base Toggle Spring	1	27#	Cutting Blade Screw	1
#08	Washer	1	28#	Handle	1
#09	Screw	2	29#	Nose Hook	1
#10	Leg Shaft	1	30#	Handle Spring	1
#11	Leg	1	31#	Windlass	1
#12	Foot	1	32#	Ratchet Wheel	2
#13	Leg Screw	1	34#	Bearing Bushing	1
#14	Leg Spring	1	35#	Clip Spring	1
#15	Lever Release Assembly	1	36#	handle Plate	1
#16	Man Spring	1	37#	Counter Sunk Screw	2
#18	Spring Pin	1	38#	Back Plate	1
#19	Handle Toggle	1	39#	Counter Sunk Screw	3
#20	Base Toggle	1	40#	Plastic Spacer	1
#21	Base Shaft	1	41#	Screw	3
#22	Handle Shaft	1	43#	Spiral Pin	1
#23	Cutting Blade	1			

Keep tool well oiled and clean. Please order parts by number and name.