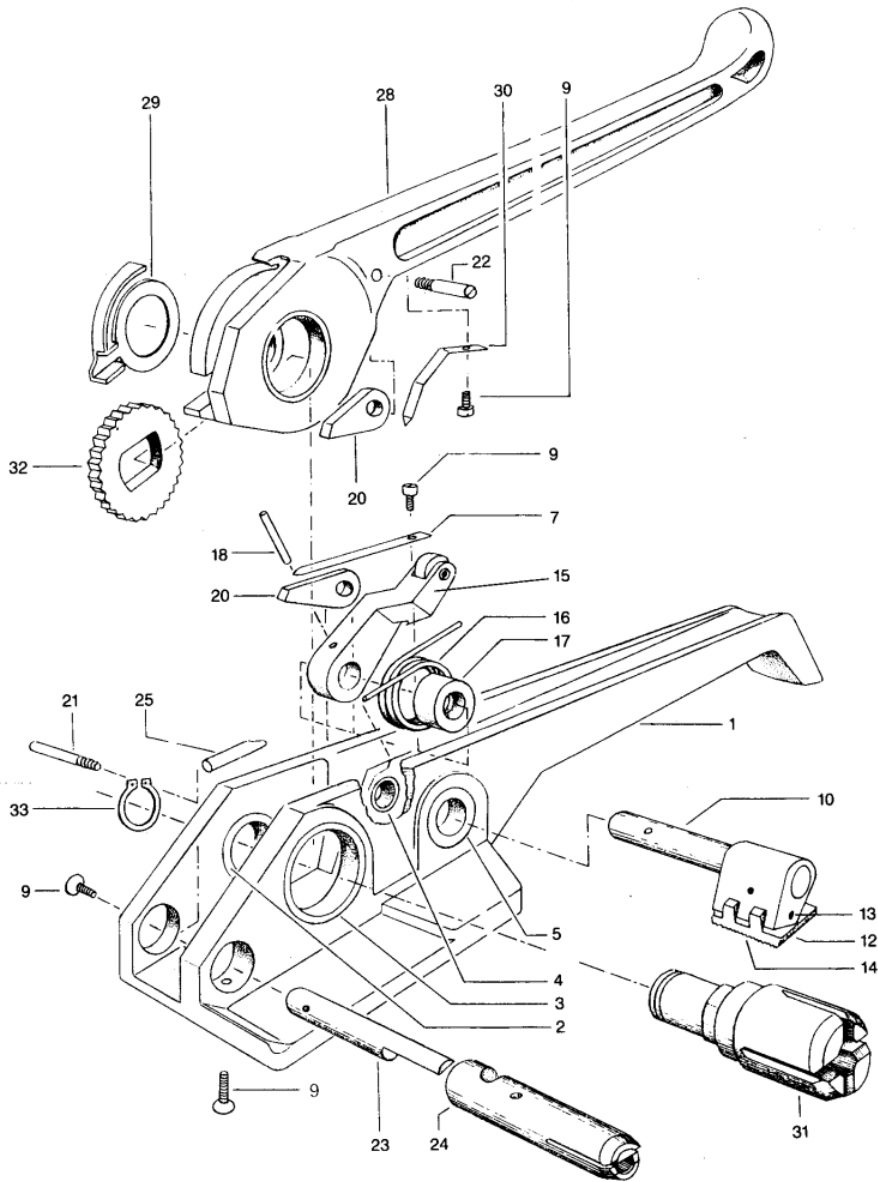


WINDLASS TENSIONER



PARTS LIST					
Part No.	Part Name	Qty/ Tool	Part No.	Part Name	Qty/ Tool
#1	Base	1	#20	Toggle	2
#7	Base Toggle Spring	1	#21	Base Shaft	1
#9	Screw	4	#22	Handle Shaft	1
#10	Leg	1	#23	Cutter Blade	1
#12	Gripper	1	#24	Cutter Housing	
#13	Foot Screw	1	#25	Blade Lever	1
#14	Foot Spring	1	#28	Handle	1
#15	Lever Release Assembly	1	#29	Nose Hook	1
#16	Main Spring	1	#30	Handle Spring	1
#17	Main Spring Bushing	1	#31	Windlass	1
#18	Spring Pin	1	#32	Ratchet Wheel	1
			#33	Clip Ring	1

Keep tool well oiled and clean. Please order parts by number and name.