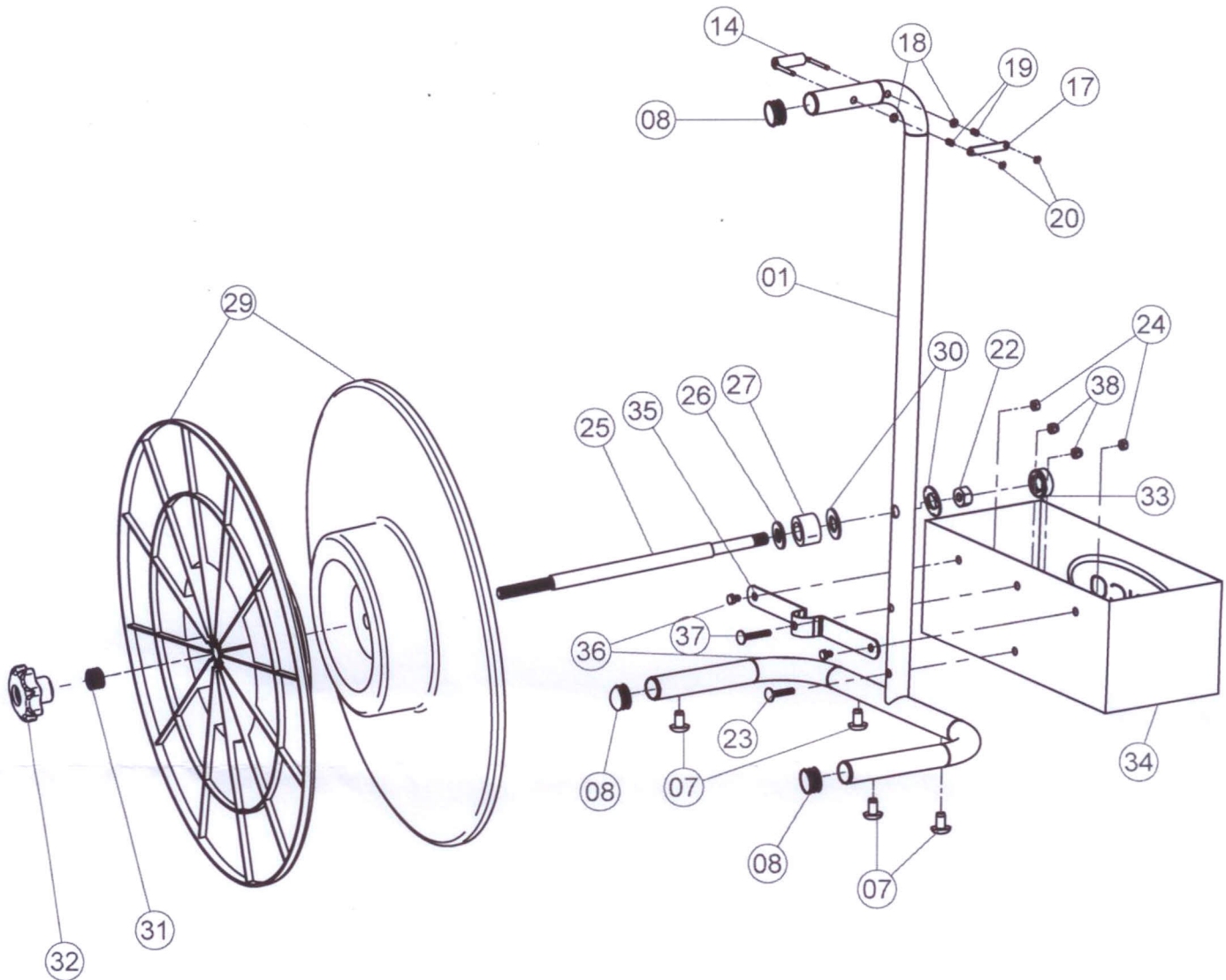


STRAPPING CART

YYCA3520-01



Part No.	Part Name	Qty/Tool	Part No.	Part Name	Qty/Tool
01	Lower Base	1	26	Washer M14X28X2.5	1
07	Nylon Pad	4	27	ABS Spacer	1
08	Tube Insert	3	29	Disc	2
14	Strap Pass	1	30	Washer M17X32X2	2
17	Strap Plate	1	31	Spring	1
18	Washer M4x9x1	2	32	Wing Nut	1
19	Spring	2	33	Nut Cap	1
20	Clip	2	34	Tool Tray	1
22	Handle Nut	1	35	Handle Clamp	1
23	Screw 1/4"x1-1/4"	1	36	Screw 1/4"x3/8"	2
24	Tray Nut	2	37	Tray Screw	1
25	Shaft	1	38	Nut	2

Keep tool well oiled and clean. Please order parts by number and name.