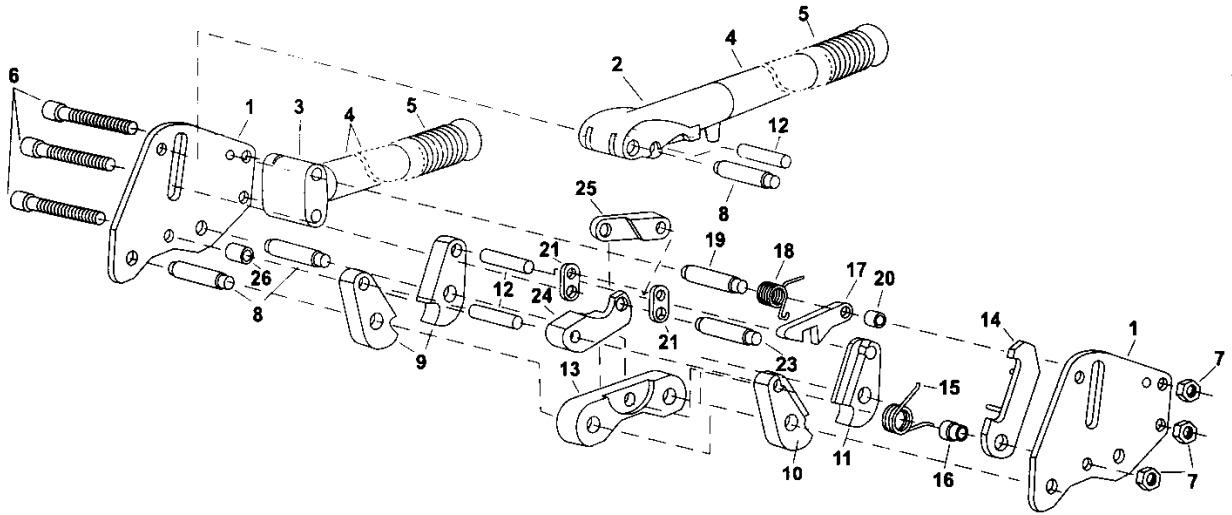
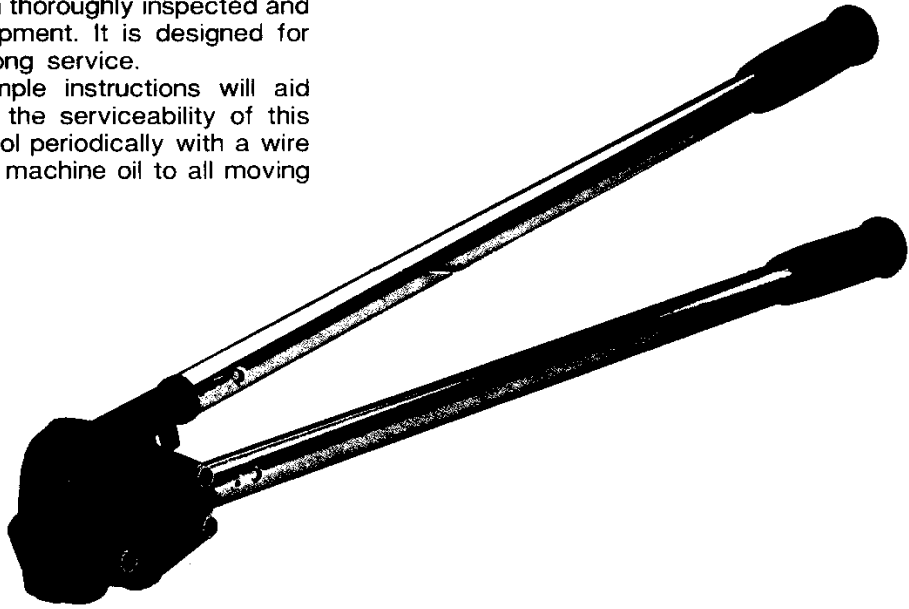


### TOOL MAINTENANCE

This tool has been thoroughly inspected and tested before shipment. It is designed for Hard wear and long service.

The following simple instructions will aid you in prolonging the serviceability of this tool: Clean this tool periodically with a wire brush. Apply light machine oil to all moving parts.



### PARTS LIST

Part No.	Part Name	Qty./Tool	Part No.	Part Name	Qty./Tool
#1	Side Plate	2	#14	Latch	1
#2	Upper Handle Arm	1	#15	Latch Spring	1
#3	Lower Handle Arm	1	#16	Latch Spacer	1
#4	Handle Pipe	2	#17	Latch Trigger	1
#5	Handle Gripe	2	#18	Trigger Spring	1
#6	Cap Screws	3	#19	Latch Trigger Pin	1
#7	Nuts	3	#20	Trigger Spacer	1
#8	Jaw Pins	3	#21	Short Link	2
#9	Jaws	2	#23	Ling Pin	1
#10	Jaw	1	#24	Toggle Link Female	1
#11	Jaw	1	#25	Toggle Link Male	1
#12	Toggle Link Pin	3	#26	Spacer	1
#13	Notcher	1			

Keep tool well oiled and clean. Please order parts by number and name.